



## DATA SHEET

Water  
Treatment Plants

WP



The DAYLIFF 'WP' Range of water treatment plants are the ideal solution of hygienic small scale water supplies in isolated areas where mains water is unavailable. The range has evolved over many years of development and is an extremely effective combination of the latest technology components with tried and tested production experience.

Treatment provided is the conventional flocculation, sedimentation, chlorination and filtration process which is an effective solution for the removal of suspended particles and organic pollution found in the majority of surface waters in the region. Provided excessive inorganic pollution is not present, extremely high quality potable water is available.

Four basic models are available, all with the following features:-

- High efficiency vertical flow steel plate sedimentation basin.
- Automatic chemical dosage of Flocculant & Chlorine.
- Options of one or two quality GRUNDFOS or similar filter pumps which provide sufficient pressure for delivery to adjacent clear water tanks. The pumps are fully wired and connected with necessary controls provided.
- Double filtration through two series connected pressure sand filters. When combined with specially graded filter media the result is especially high quality filtration.
- Fully automatic operation - the quantity of water produced is automatically regulated by site demand.

- Totally integrated units (skid mounted except for WP 1000 model) for simple site installation. The treatment plants are complete from the raw water inlet to the clear water outlet so all that is required for installation is a concrete plinth, piping and electrical connections.

## SPECIFICATIONS

MODEL	OUTPUT (m <sup>3</sup> /hr)	BASIN CAPACITY (m <sup>3</sup> )	STANDARD FILTER PUMP		DIMENSIONS (mm)				
			Model	Motor	PLANT			PLINTH	
					H	L	W	PL	PW
WP 150	1.5	3	CM 3-4	0.5HP	2600	3000	1500	4000	2500
WP 250	2.5	5.5	CM 3-4	0.5HP	3200	3000	1800	4600	2800
WP 500	5	10	CM 5-4	1HP	3500	4400	2400	5400	3400
WP 1000	10	20	CM 10-2	2HP	3500	7000	2400	8000	3400

**Sedimentation Basin:** Rectangular section upward flow basins with conical base, sludge bleed and integral balance tank.

**Filters:** 2 No series connected DAYLIFF 'CX' GRP pressure sand filters with simple to use multiport valves and rated up to 3 Bar operating pressure.

**Chemical Dosage:** Dosage of Alum and Chlorine is offered as standard with other chemical options being available to suit site conditions. A pumped dosage system is provided using Hanna BL chemical dosing pumps drawing from 170l GRP concentrate tanks.

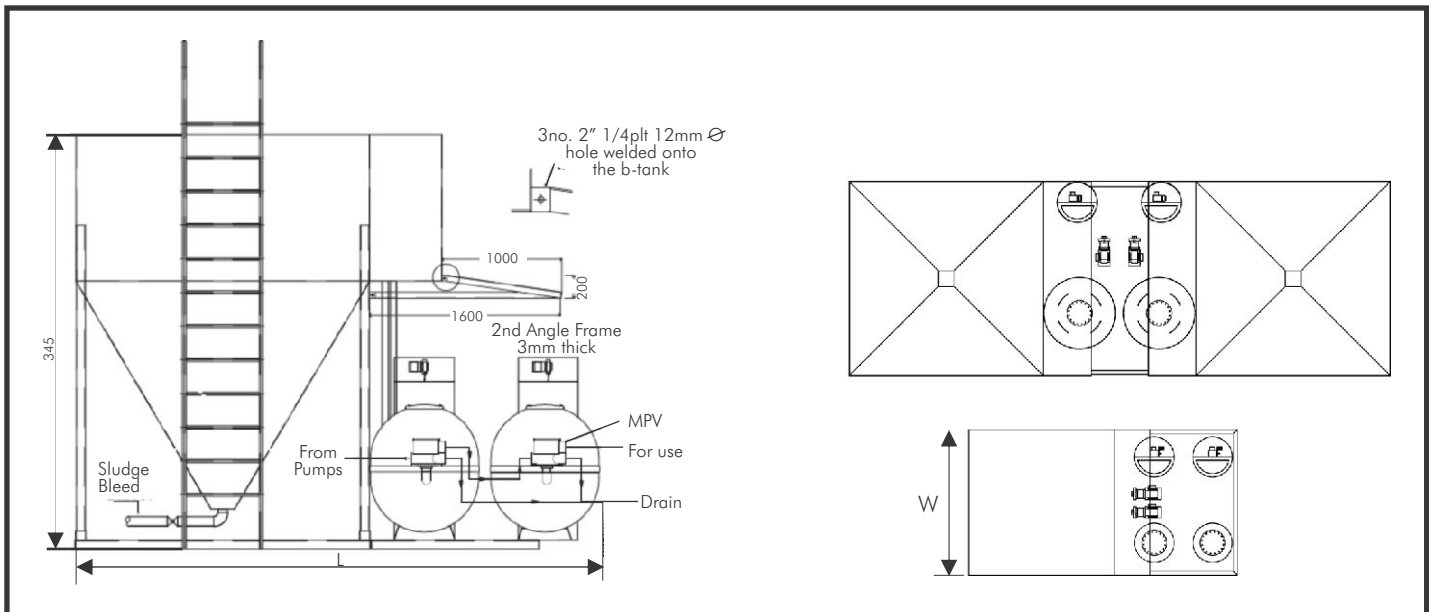
**Pumps:** Grundfos CH type multistage horizontal centrifugal pumps with integral motors. All models are for 240V single phase power supply. Alternative equivalent models may be supplied for particular applications.

## OPERATING CONDITIONS

**Raw water quality:** Surface waters containing suspended solids and bacteria. The plants are not suitable for treatment of any dissolved solids including hardness and salinity.

**Max. Water temperature:** +40°C

## EQUIPMENT LAYOUT



© Davis & Shirliff 2018. Contents herein are not warranted. The right is reserved to amend specifications without notice.

DT96E-09/12

<p><b>KENYA</b> Nairobi - Head Office Tel: (254 20) 6988000 headoffice@dayliff.com Nairobi - Westlands Tel: (254 20) 4460116 westlands@dayliff.com Nairobi - Downtown Tel: (254 20) 3883513 downtown@dayliff.com Eastleigh Tel: (254 20) 711 079 845 eastleigh@dayliff.com Uthawa Tel: (254 780) 575745 uthawa@dayliff.com Nairobi - Karen Tel: (254 20) 3883513 karen@dayliff.com Ngata Rongai Tel: (254 20) 2400146 ngatarongai@dayliff.com Kiambu Tel: (254 701) 640 309 kiambu@dayliff.com</p>	<p><b>Thika</b> Tel: (254 67) 2220084 thika@dayliff.com <b>Kisumu</b> Tel: (254 45) 3123094 kisenya@dayliff.com <b>Machakos</b> Tel: (254 44) 2021668 machakos@dayliff.com <b>Kitui</b> Tel: (254 701) 683 289 kitui@dayliff.com <b>Embu</b> Tel: (254 780) 455 512 embu@dayliff.com <b>Meru</b> Tel: (254 64) 3131033 meru@dayliff.com <b>Nanyuki</b> Tel: (254 62) 2030018 nanyuki@dayliff.com <b>Garissa</b> Tel: (254 46) 2102620 garissa@dayliff.com <b>Naivasha</b> Tel: (254 30) 2030010 naivasha@dayliff.com</p>	<p><b>Lodwar</b> Tel: (254 724) 248602 lodwar@dayliff.com <b>Eldoret</b> Tel: (254 53) 2061306 eldoret@dayliff.com <b>Nakuru</b> Tel: (254 51) 2213248 nakuru@dayliff.com <b>Narok</b> Tel: (254 740) 048 514 narok@dayliff.com <b>Kakamega</b> Tel: (254 58) 2031889 kakamega@dayliff.com <b>Bungoma</b> Tel: (254 740) 048 514 bungoma@dayliff.com <b>Kisumu</b> Tel: (254 57) 2024763 kisumu@dayliff.com <b>Kisii</b> Tel: (254 58) 2030949 kisii@dayliff.com</p>	<p><b>KENYA COAST</b> Mombasa - Main Office Tel: (254 20) 2040432 mombasa@dayliff.com Mombasa - Downtown Tel: (254 780) 567 379 mombasadowntown@dayliff.com Malindi Tel: (254 42) 2120425 malindi@dayliff.com <b>Diani</b> Tel: (254 40) 3202181 diani@dayliff.com <b>Lamu</b> Tel: (254 20) 265105256 lamu@dayliff.com <b>Nyaji</b> Tel: (254 20) 2443357 nyaji@dayliff.com <b>Voi</b> Tel: (254 20) 2028284 voi@dayliff.com <b>Mtwapa</b> Tel: (254 788 478 113 mtwapa@dayliff.com</p>	<p><b>UGANDA</b> Kampala - Main Office Tel: (256 414) 3463378 kampala@dayliff.com Kampala - Nakasero Tel: (256 392) 734633 nakasero@dayliff.com Kampala - Shauri Moyo Tel: (256 414) 860 770 shaurimoyo@dayliff.com <b>Gulu</b> Tel: (256 471) 433041 gulu@dayliff.com <b>Mbarara</b> Tel: (256 753) 840 080 mbarara@dayliff.com <b>Jinja</b> Tel: (256 392) 001556 jinja@dayliff.com <b>SOUTH SUDAN</b> Juba Tel: (211 958) 397 070 juba@dayliff.com</p>	<p><b>TANZANIA</b> Dar es Salaam - Main Office Tel: (255 22) 211251556 darsalasam@dayliff.com Dar es Salaam - Kariakoo Tel: (255 27) 254737178 anusha@dayliff.com <b>Arusha</b> Tel: (255 27) 254737178 anusha@dayliff.com <b>Zanzibar</b> Tel: (255 28) 25419712 dksmwanza@dayliff.com <b>Dodoma</b> Tel: (255) 753 506 505 dodoma@dayliff.com</p>	<p><b>ZAMBIA</b> Lusaka - Main Office Tel: (260 21) 2889101 lusaka@dayliff.com Lusaka - ChaChaCha Tel: (260 21) 842350 <b>Ndola</b> Tel: (260 212) 6109367 ndola@dayliff.com <b>Kitwe</b> Tel: (260 212) 22174767 kitwe@dayliff.com <b>Livingstone</b> Tel: (260 213) 320002/234 livingstone@dayliff.com <b>Solwezi</b> Tel: (260 218) 821822 solwezi@dayliff.com</p>	<p><b>RWANDA</b> Kigali Tel: (250) 252 504039 kigali@dayliff.com <b>Rubavu</b> Tel: (250) 814 911999 rubavu@dayliff.com <b>ETHIOPIA (Associate)</b> Addis Ababa Tel: (251 11) 815934164 ethiopia@dayliff.com <b>DRC</b> Lubumbashi Tel: (243) 978 115412/ 852 78853 drc@dayliff.com</p>
--	--	--	--	---	---	---	---