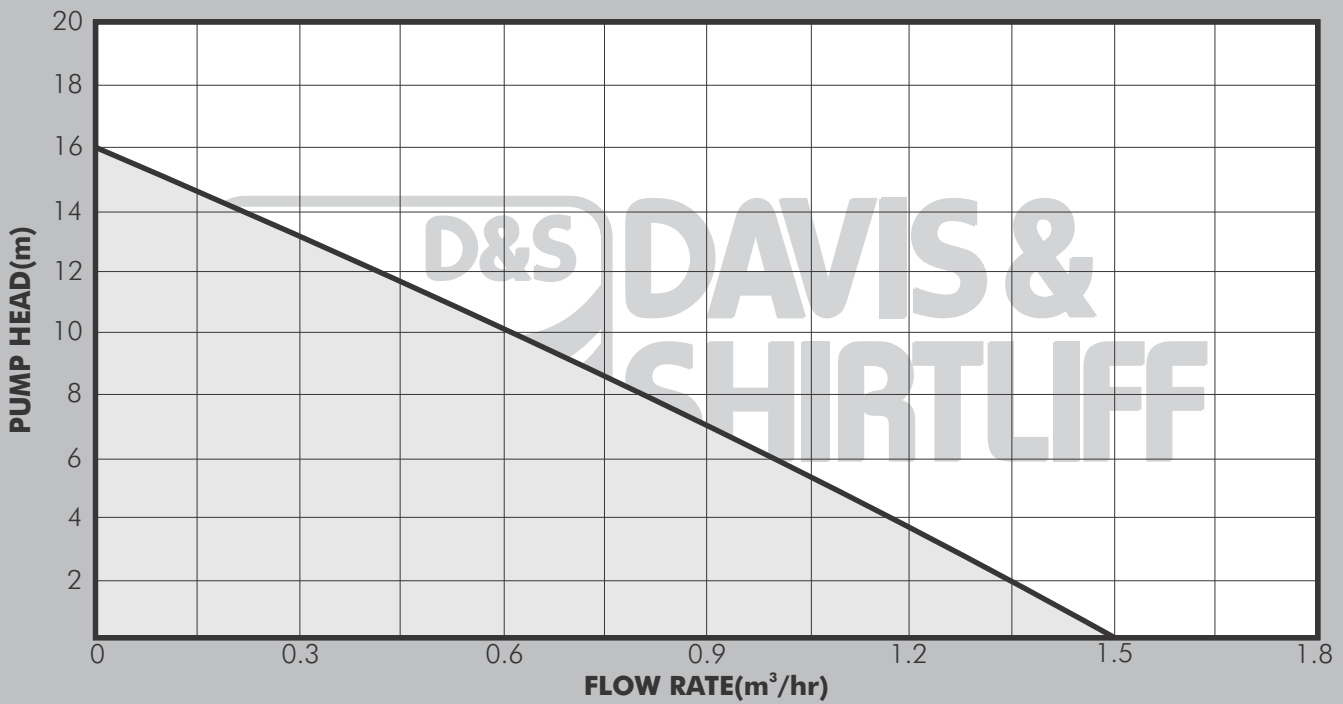
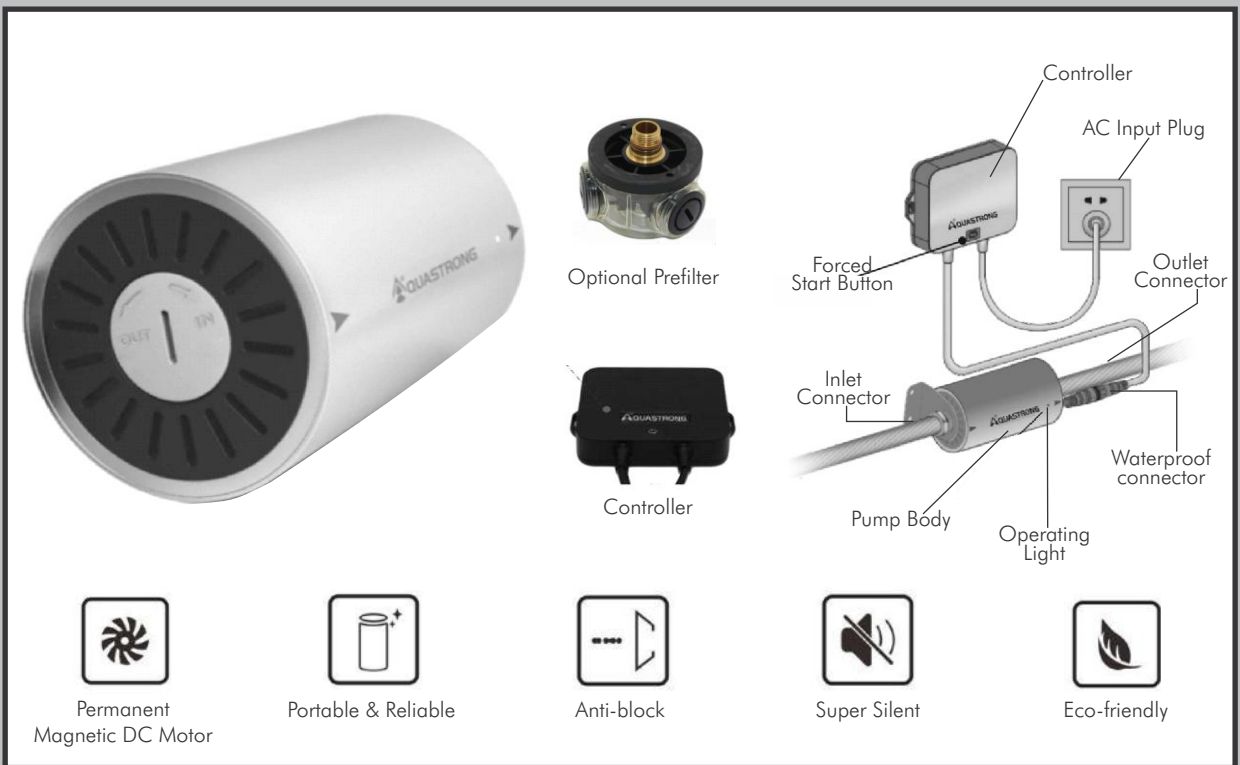




# DATA SHEET

Smart Inline  
Boosting Pumps

# AQUASTRONG CIRCT6



## PUMPS

**Dayliff Aquastrong CIRC 16** is a highly innovative smart inverter controlled water boosting pump suitable for various domestic applications including hot water circulation for electric or solar water heaters as well as shower and general tap pressure boosting. Particular features include:-

- **Innovative inverter controlled** Permanent magnet water cooled DC motor that features high efficiency and super silent (28dB) operation.
- **Anti-block hydraulic design** with large water passage and optional easy to clean prefilter.
- **Suitable for all water temperatures** up to 90°
- **Fully automatic operation** with inbuilt flow switch control.
- **Integrated Design** using non corroding materials including an aluminium housing and engineering plastic hydraulic parts providing for up to 30,000 running hours operation.
- **Extremely compact dimensions** that enables simplified installation in confined spaces.
- **Supplied complete** with connectors, mounting brackets and separate inverter/controller unit.
- **2-year guarantee.**
- **Certified** in accordance with the EU Uniform EN and the German Industrial DIN Standards.

**Dayliff Aquastrong CIRC 16** is an exceptionally advanced product that uses state of the art inverter technology to provide the perfect solution to all domestic and residential water supply needs.

**Insulation:** F

**Enclosure Class:** IP57

**Power:** 96W, 175-245V, 50HZ/60HZ

**Speed:** 10,000rpm

## OPERATING CONDITIONS

**Pumped Liquid:** Thin, clean, chemically non-aggressive liquids without solid particles or fibres

**Max. Ambient Temp:** 2-90°C

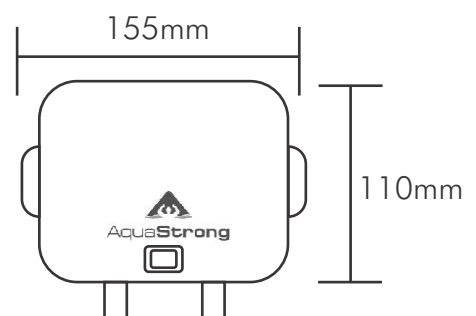
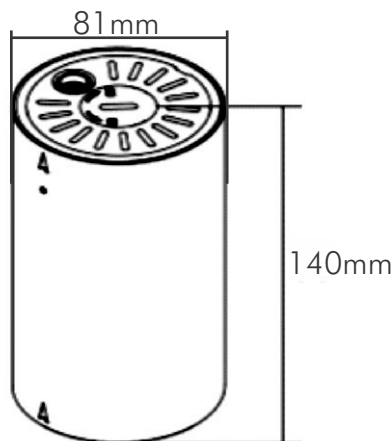
**Max. Liquid Temp:** 90°C

**Max Suction Lift:** 0m (non self-priming)

**Start Flow:** 1 l/min

**Inlet/Outlet:** ½"

## DIMENSIONS



**Weight: 1.2Kg**

© Davis & Shirliff 2021. Contents herein are not warranted. The right is reserved to amend specifications without notice. [www.davisandshirliff.com](http://www.davisandshirliff.com)

DY478A-02/21

<b>KENYA</b> <b>Nairobi - Head Office</b> Tel: (254) 711 079 000 <b>Nairobi - Westlands</b> Tel: (254) 711 079 683/2/7/8/9 <b>Nairobi - Downtown</b> Tel: (254) 715 439 392 <b>Eastleigh</b> Tel: (254) 711 079 645 <b>Uwajala</b> Tel: (254) 780 575 745 <b>Nairobi - Karen</b> Tel: (254) 728 442 342 <b>Ngata Rongai</b> Tel: (254 20) 240 0146 <b>Kiambu</b> Tel: (254) 701 646 309 <b>Githurai</b> Tel: (254) 758 727 332	<b>Naivasha</b> Tel: (254 50) 203 0510 <b>Lodwar</b> Tel: (254) 724 248 692 <b>Eldoret</b> Tel: (254) 715 590 000 <b>Nakuru</b> Tel: (254 20) 221 3248 <b>Narok</b> Tel: (254) 701 683 283 <b>Kakamega</b> Tel: (254 56) 203 1889 <b>Kitale</b> Tel: (254) 748 590 143 <b>Bungoma</b> Tel: (254) 740 048 514 <b>Kisumu</b> Tel: (254) 724 352 504 <b>Kisii</b> Tel: (254 58) 203 0949	<b>Kericho</b> Tel: (254) 780 703 197 <b>Muranga</b> Tel: (254) 780 377 682 <b>Thika</b> Tel: (254) 719 867 504 <b>Kitengela</b> Tel: (254) 705 155 522 <b>Machakos</b> Tel: (254) 712 650 283 <b>Kitui</b> Tel: (254) 701 683 289 <b>Embu</b> Tel: (254) 780 455 512 <b>Meru</b> Tel: (254 64) 313 1033 <b>Nyeri</b> Tel: (254) 799 496 253 <b>Nanyuki</b> Tel: (254 62) 203 0018	<b>Garissa</b> Tel: (254) 715 494 838 <b>Marsabit</b> Tel: (254) 748 590 140 <b>Wajir</b> Tel: (254) 780 523 728 <b>Isiolo</b> Tel: (254) 717 125 182 <b>KENYA - COAST</b> <b>Mombasa - Main Office</b> Tel: (254 41) 249 0868 <b>Mombasa - Downtown</b> Tel: (254) 780 567 379 <b>Malindi</b> Tel: (254 42) 212 0425 <b>Diani</b> Tel: (254 40) 320 2181 <b>Lamu</b> Tel: (254 20) 265 1052	<b>Nyali</b> Tel: (254 20) 244 3357 <b>Voi</b> Tel: (254 20) 202 8284 <b>Mtwapa</b> Tel: (254) 798 478 113 <b>Kitengela</b> Tel: (254) 717 125 182 <b>RWANDA</b> <b>Kigali</b> Tel: (250 252) 504 039 <b>Rubavu</b> Tel: (243 814) 326 631 <b>Gakiriro</b> Tel: (254 781) 182 374 <b>SOUTH SUDAN</b> <b>Juba</b> Tel: (211) 927 000 020	<b>ZAMBIA</b> <b>Lusaka</b> Tel: (260 211) 845 010/1 <b>Lusaka - ChaChaCha</b> Tel: (260 211) 842 350 <b>Ndola</b> Tel: (260 212) 610 936 <b>Kitwe</b> Tel: (260 212) 221 747 <b>Livingstone</b> Tel: (260 213) 320 002 <b>Solwezi</b> Tel: (260 218) 821 822 <b>Chipata</b> Tel: (260 216) 222 636 <b>DRC</b> <b>Lubumbashi</b> Tel: (243) 978 115 412	<b>UGANDA</b> <b>Kampala - Main Office</b> Tel: (256) 783 065 273 <b>Kampala - Kitgum House</b> Tel: (256 414) 346 337 <b>Kampala - Nakasero</b> Tel: (256 392) 734 633 <b>Kampala - Shauri Yako</b> Tel: (256 414) 660 770 <b>Gulu</b> Tel: (256 471) 433 041 <b>Mbarara</b> Tel: (256 392) 001 596 <b>ZIMBABWE</b> <b>Harare</b> Tel: (263) 24 257 6246	<b>TANZANIA</b> <b>Dar es Salaam - Main Office</b> Tel: (255 22) 211 2515 <b>Dar es Salaam - Kariakoo</b> Tel: (255 22) 218 4867 <b>Arusha</b> Tel: (255 27) 254 7317 <b>Zanzibar</b> Tel: (255) 774 202 069 <b>Mwanza</b> Tel: (255) 783 451 540 <b>Dodoma</b> Tel: (255) 753 506 530 <b>ETHIOPIA (Associate)</b> <b>Addis Ababa</b> Tel: (251 11) 668 7925/29
--	--	---	--	--	--	--	--